

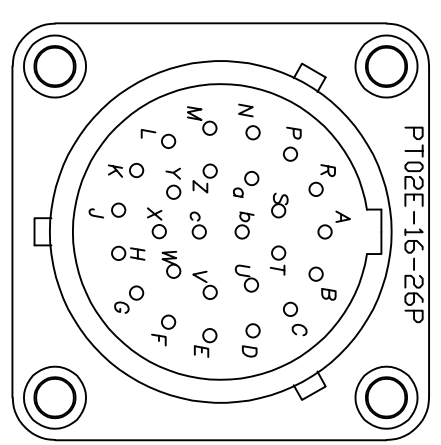
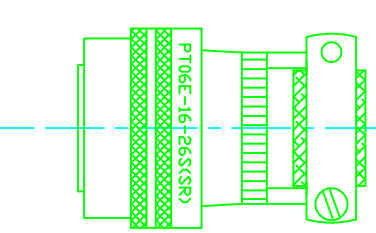
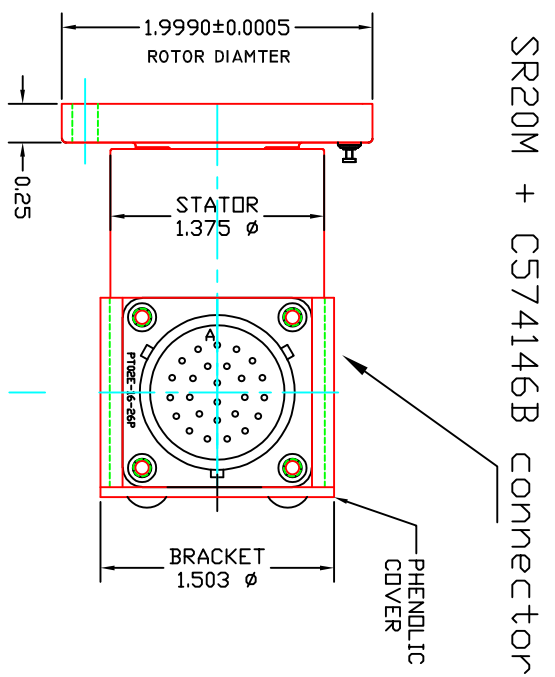
1 2 3 4 5 6 7 8 9

A **B** **C** **D** **E** **F** **G**

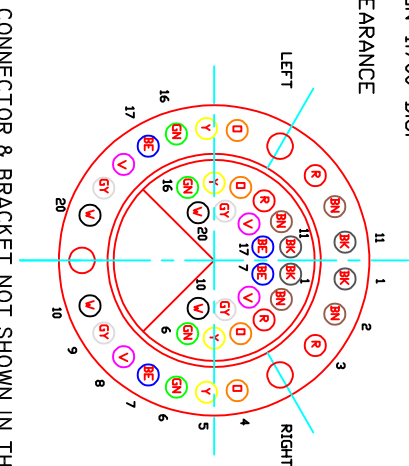
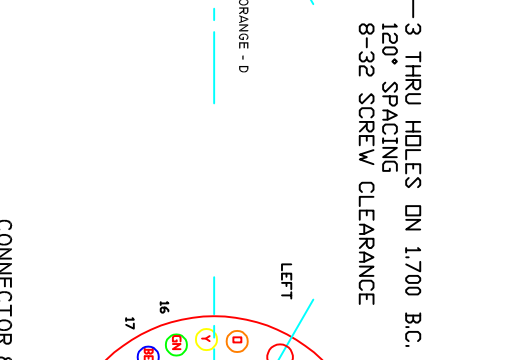
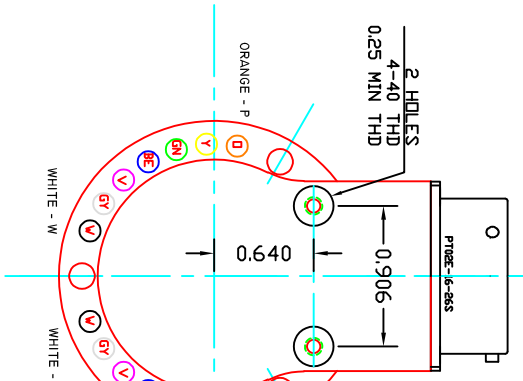
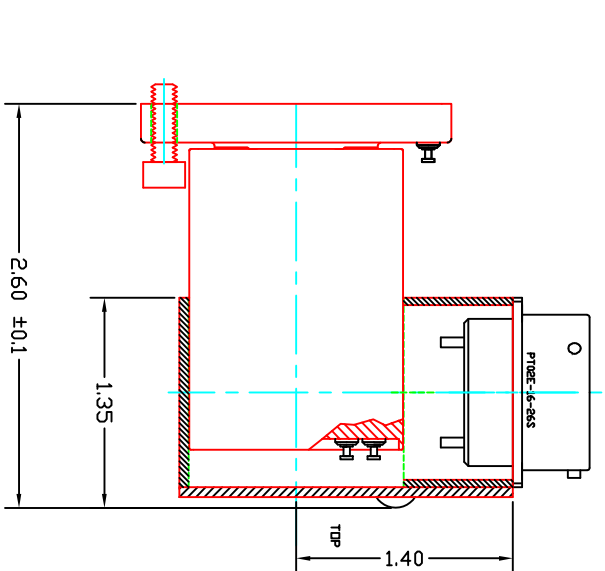
YL201710

SR20M + C574146B connector bracket + 26 pin connector on stator

DATE	BY	REVISION	LDC.
10-12-22	KDL	UPDATE INFORMATION	



RING POSITION	COLOR	STATOR CONNECTOR BENDIX P102E-16-26P
20	WHITE	W
19	GREY	V
18	VIOLET	U
17	BLUE	T
16	GREEN	S
15	YELLOW	R
14	ORANGE	P
13	RED	N
12	BROWN	M
11	BLACK	L
10	WHITE	K
9	GREY	J
8	VIOLET	H
7	BLUE	G
6	GREEN	F
5	YELLOW	E
4	ORANGE	D
3	RED	C
2	BROWN	B
1	BLACK	A



CONNECTOR & BRACKET NOT SHOWN IN THIS VIEW

The connector bracket is glued onto the slip ring stator. Most adhesives can be used, such as Hardman 4002 epoxy or a Loctite retaining compound.

MICHIGAN SCIENTIFIC CORPORATION
 08500 ANGE ROAD
 CHARLEVOIX, MI 49720
 PHONE: (231)547-5511 FAX: (231)547-7070

TOLERANCES	DESIGNED BY: KDL	DATE: 6-24-19	SCALE: 1:1
.xxxx ±----	DRAWN BY: KDL/PCS	TITLE: SR20M & XCTR	
.xxx ±----	CHECKED BY: AH	SHT OF SHTS: 1	
.xx ±----	DRAWING NO.: C171027A		
ANGLES ±----			
SURFACE FINISH			
-----RMS			